

Specifications:

Contact resistance:  $\leq 20\text{m}\Omega$

Insulation resistance:  $\geq 100\text{M}\Omega$

Rated voltage: 125V AC D

ORDER INFORMATION:

A

B

C

D

E

F

1

1

2

2

3

3

4

4

5

ORDER INFORMATION:

A1251AWV-\*\*-F1CA-R-X

PART No.

No.OF CIRCUITS:

\*\*

PLASTIC MATERIAL:

F1C=LCP(NATURAL)

PACKAGING:

R=REEL

P=PE

PLATING:

GENERAL TOLERANCE USE

A

B

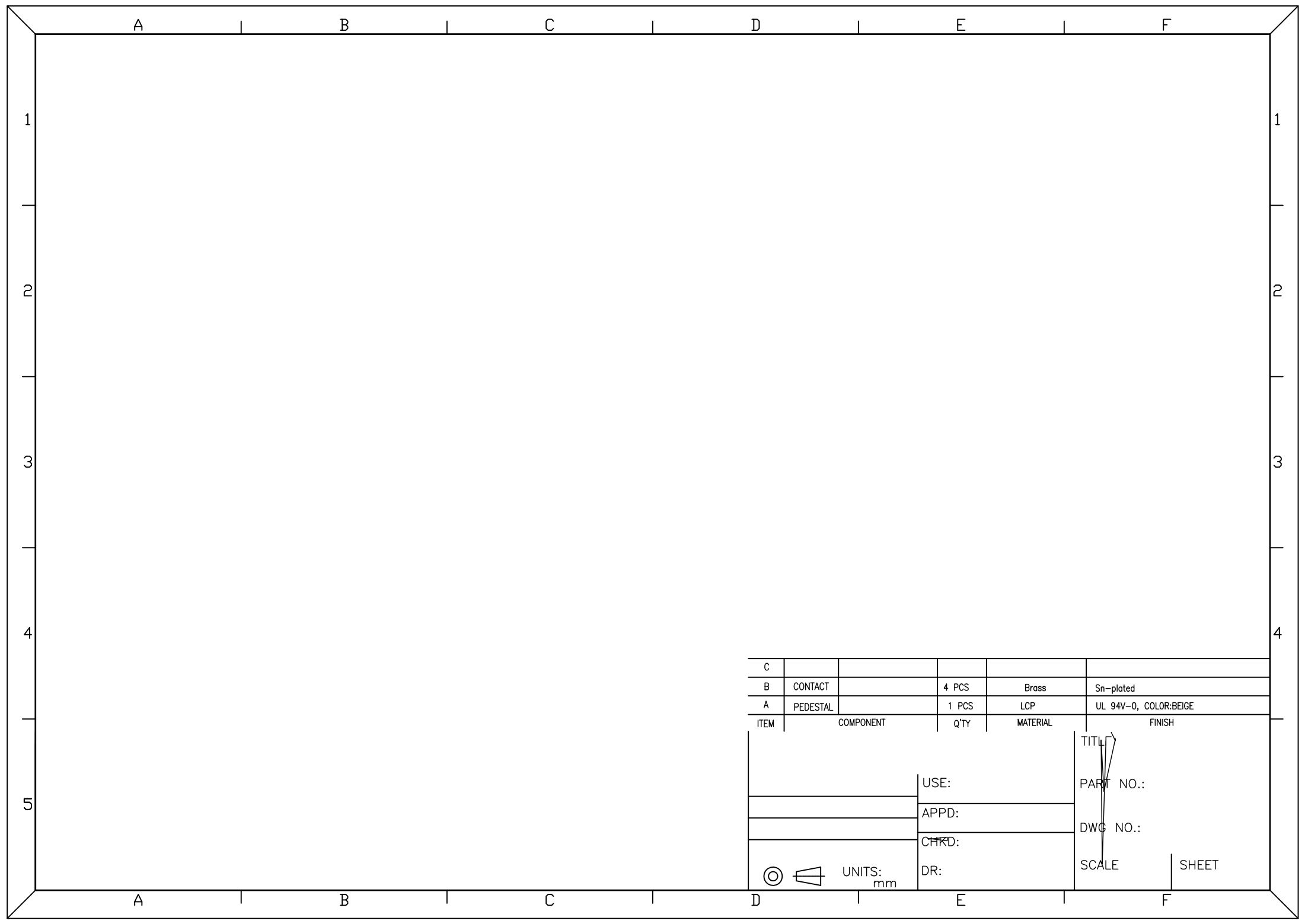
C

D

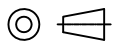
E

F

			UL 94V-0, COLOR:B

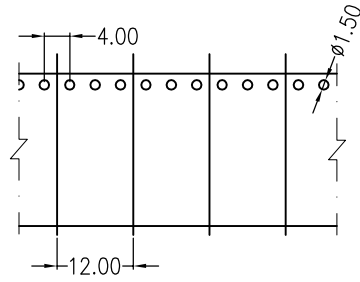


C					
B	CONTACT		4 PCS	Brass	Sn-plated
A	PEDESTAL		1 PCS	LCP	UL 94V-0, COLOR:BEIGE
ITEM	COMPONENT		Q'TY	MATERIAL	FINISH

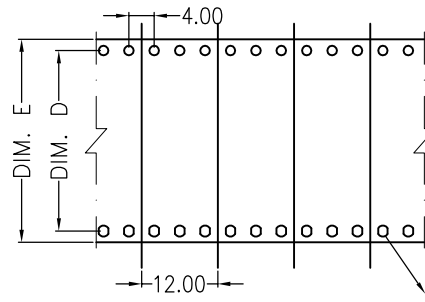
	USE:	TITLE
	APPD:	PART NO.:
	CHKD:	DWG NO.:
 UNITS: mm	DR:	SCALE
		SHEET

			P	Sn-plated
ITEM				FINISH





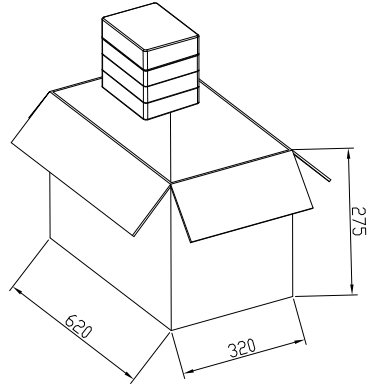
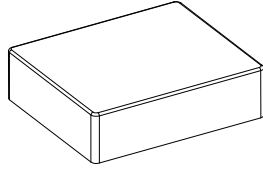
02~09 CONTACTS



10~16 CONTACTS



付



将\*袋放入小\*袋

